

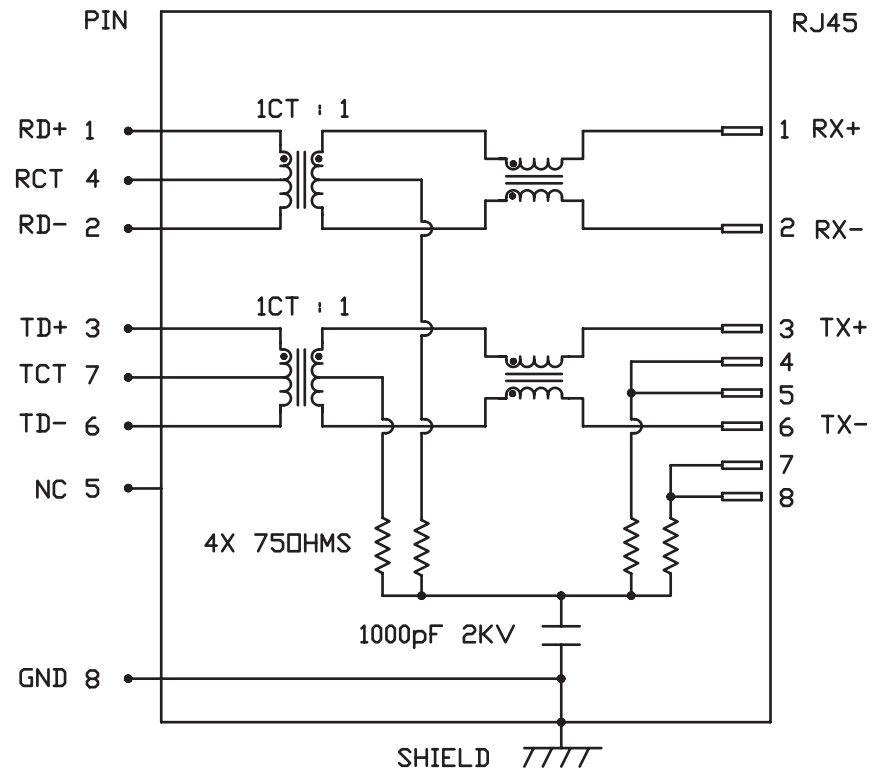
INTEGRATED CONNECTOR MODULES

0811-2X8R-28-F 10/100Base-TX MagJack® 2 x 8



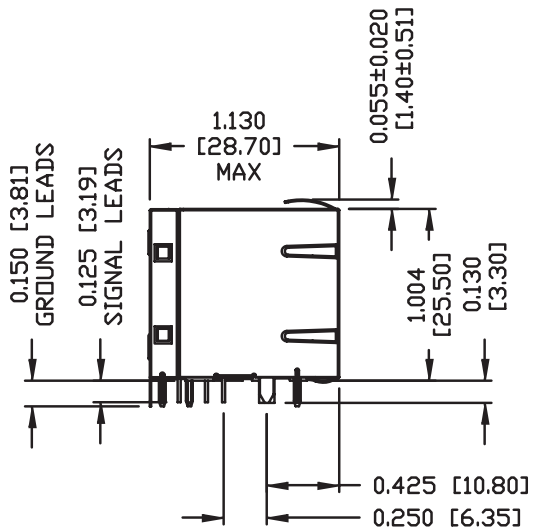
ELECTRICAL CHARACTERISTICS @ 25°C

RETURN LOSS (MIN.)		
1MHz-30MHz	-18 dB	
60MHz-80MHz	-12 dB	
INSERTION LOSS		
100kHz TO 100MHz	-1.1 dB	
□CL @ 0.1V, 100kHz		
8mA DC BIAS	350μH MIN.	
TURNS RATIO	1CT : 1CT ±3%	
CM TO CM REJ		
100kHz - 100MHz	-35 dB MIN	
CM TO DM REJ		
100kHz - 100MHz	-40 dB MIN	
XTALK		
100kHz TO 100MHz	-35 dB MIN.	



INTEGRATED CONNECTOR MODULES

0811-2X8R-28-F 10/100Base-TX MagJack® 2 x 8



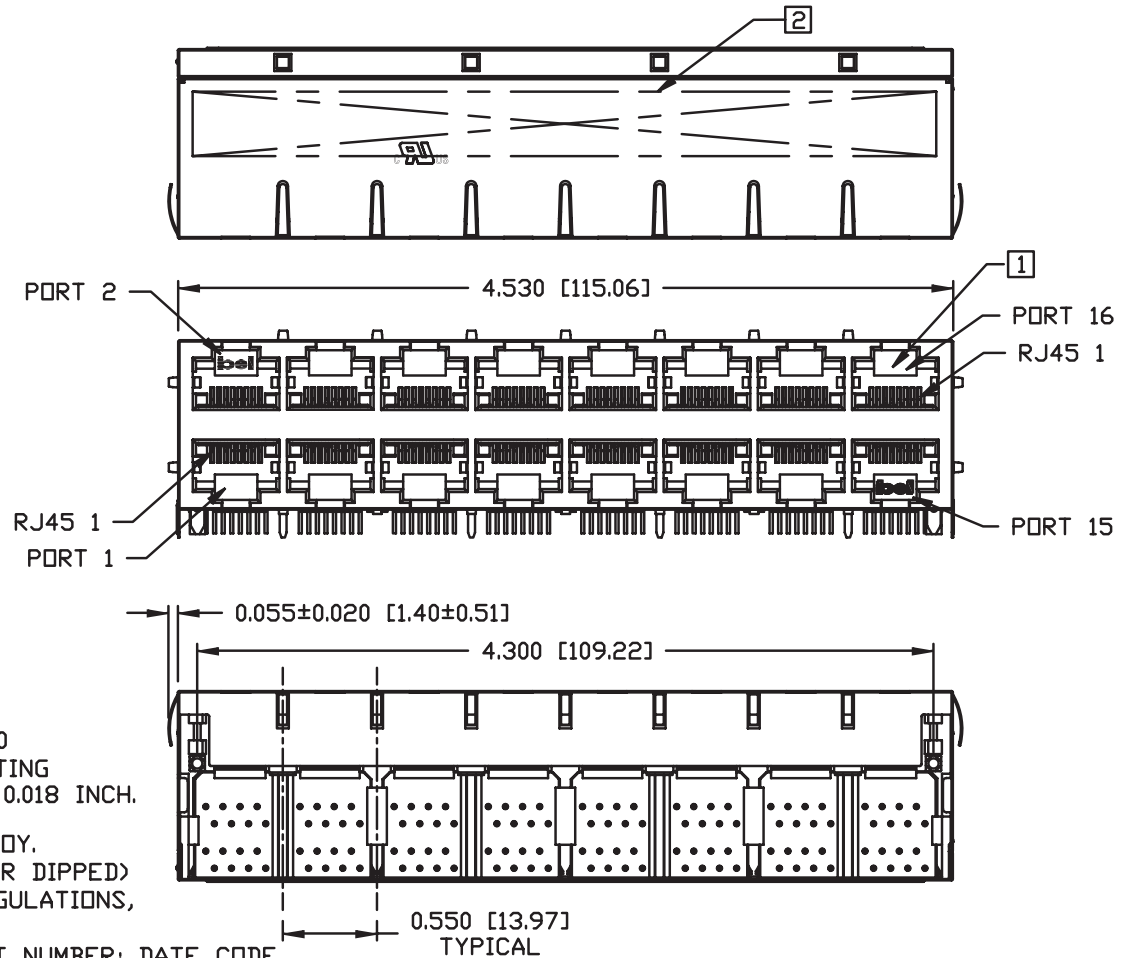
NOTES:

- PLASTIC HOUSING: THERMOPLASTIC PBT
FLAMMABILITY RATING UL 94V-0
- CONTACT PLATING: 30 MICRO-INCH HARD GOLD PLATING
- OUTPUT PINS: TIN-COATED COPPER WIRE, DIA 0.018 INCH.
PER MIL STD. 202, METHOD 208.
- SOLDERABILITY: NICKEL PLATED ON COPPER ALLOY.
- METAL SHIELD: (ALL GROUND LEADS ARE SOLDER DIPPED)

- 1. JACK CAVITY CONFORMS TO FCC RULES AND REGULATIONS, PART 68 SUBPART F.
- 2. MARKED PART WITH MFG. LOGO; MFG. NAME; PART NUMBER; DATE CODE.

UL US UL RECOGNIZED - FILE #E196366 AND E169987.

3. RoHS COMPLIANCE, PER EU DIRECTIVE 2002/95/EC

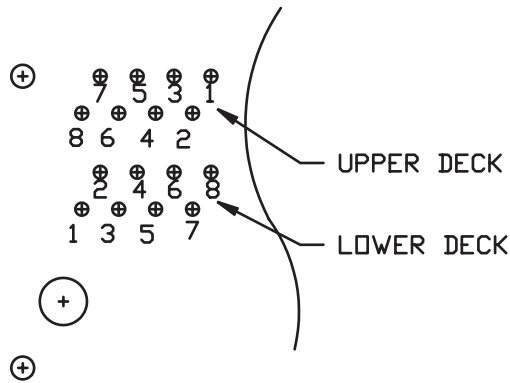
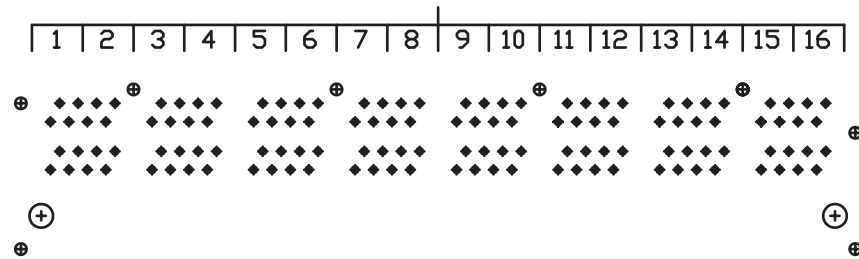


INTEGRATED CONNECTOR MODULES

0811-2X8R-28-F 10/100Base-TX MagJack® 2 x 8

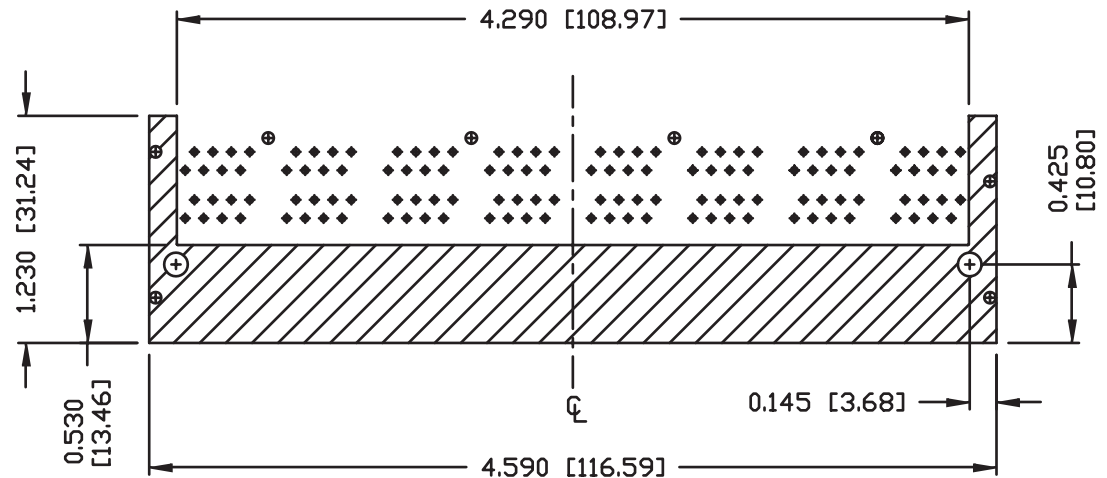


PORT ASSIGNMENT
(COMPONENT SIDE VIEW)



PIN-OUT INFORMATION
(COMPONENT SIDE VIEW)

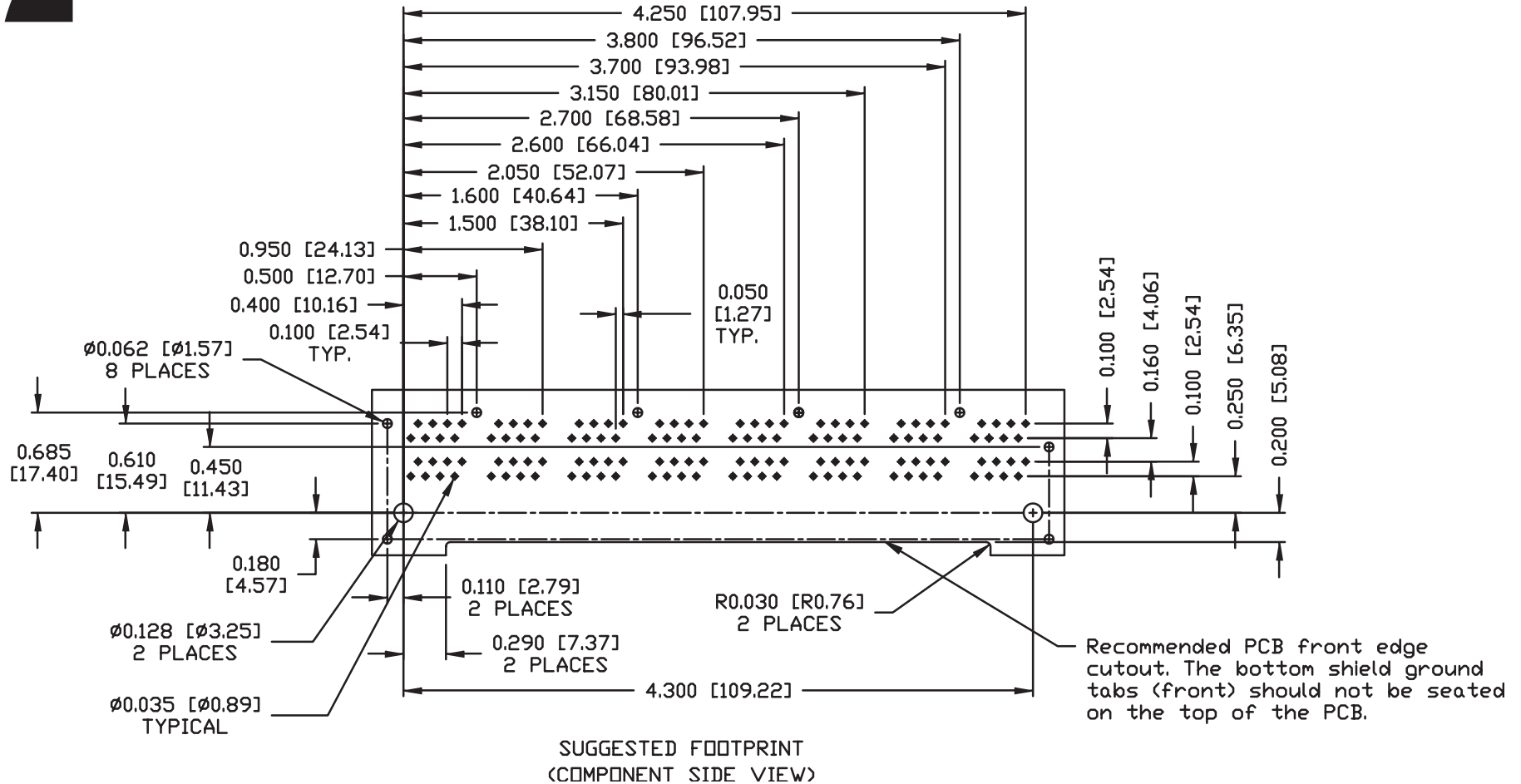
8	GND
7	TCT
6	TD-
5	NC
4	RCT
3	TD+
2	RD-
1	RD+



THE SHADED AREA ON THE CUSTOMER BOARD ARE RECOMMENDED TO BE CLEAR OFF ANY VIA HOLE OR COMPONENT PAD.

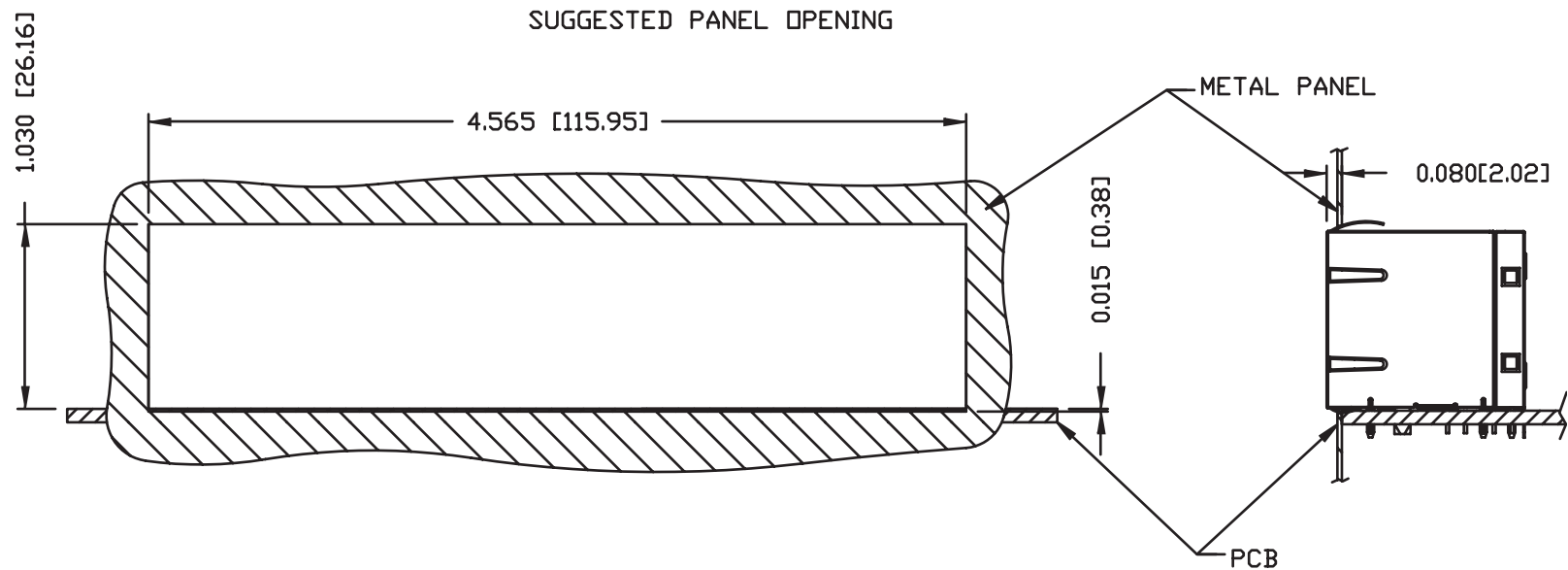
INTEGRATED CONNECTOR MODULES

0811-2X8R-28-F 10/100Base-TX MagJack® 2 x 8



INTEGRATED CONNECTOR MODULES

0811-2X8R-28-F 10/100Base-TX MagJack® 2 x 8



NOTE:

THE DISTANCE OF PANEL INSIDE SURFACE RELATIVE TO FRONT SURFACE OF PART IS ONLY A SUGGESTION. IN CASE THIS DISTANCE IS DIFFERENT, THE REQUIRED PANEL OPENING DIMENSIONS CHANGE ACCORDINGLY.

PACKING INFORMATION

PACKING TRAY : 0200-9999-B2 (TOP)
0200-9999-B1 (BOTTOM)

PACKING QUANTITY : 10 PCS FINISHED GOODS PER TRAY
7 TRAYS (70 PCS FINISHED GOODS) PER CARTON BOX

NOTE : CARDBOARDS ARE PLACED BETWEEN LAYERS OF PACKING TRAY INSIDE CARTON BOX
(INCLUDE THE UPPERMOST AND LOWERMOST TRAY)